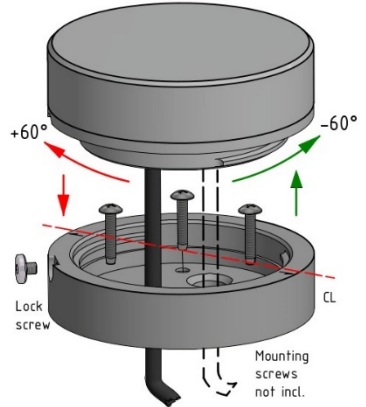


## Installation guide

Thank you for purchasing a Lopolight product. Our products are built to ensure a long lifetime in the most extreme marine conditions.

### Mounting:

Go to [www.lopolight.com](http://www.lopolight.com) or use the QR code to get to the 'products' section where the datasheet that includes the dimensional drawing is found.



For directional lights the alignment to the vessel centerline is very important.

Horizontally mounted lights are opened/closed as illustrated, please ensure lock screw engages correctly.

### Connecting power:

Supply Voltage: Any DC voltage between 10 and 32 volts. (12 and 24 Volt systems)

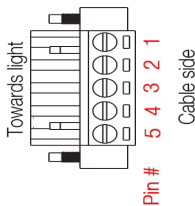
#### Cabled lights:

Red wire: Positive (+) Black wire: Negative (-).  
(Double light: 2 cables, same colour coding)



#### Light with green connector: Single light:

Pin 1: Positive (+) Pin 2: Negative (-) (pin 3-5: not used)



#### Double light:

Primary light: Pin 1: Positive (+) Pin 2: Negative (-)

Secondary light: Pin 4: Positive (+) Pin 5: Negative (-)  
(pin 3 not used)

**Recommended fuse or circuit breaker:** Less than 2A (slow).

**Grounding:** The navigation light housing should not be connected to ground (Earth).  
(We recommend that you connect the cable screen to ground (Earth)).

**Cabling:** Avoid chafe and route it away from sources of heat and large inductive fields such as electric motors.

### Cleaning your product:

- Wipe off your product with a normal detergent, on a damp cloth  
**DO NOT use alcohol or thinner for cleaning your light – this could damage the lens.**

### Troubleshooting:

If the light does not function:

- Check that you have a supply Voltage between 10 and 32 Volt DC.
- Check that the polarity is right (you will not damage the Lopolight by accidentally wiring the polarity wrong).

### End of life signaling:

Your Lopolight product has a microprocessor inside that ensures that the light has required intensity over a 50.000-hour projected lifetime. The light will signal to you when it is getting to the end of its useful life. The following signals can be observed:

- **All OK:** 5 seconds after turning on the light it will go dark for 0,1 second and turn on again. This is just a check for you to assure that the microprocessor is working.
- **Less than 2000 working hours left:** The dark period is extended to 2 seconds: you should change the light at your next service within the next 12 months.
- **Light Expired:** The dark period is extended to 5 seconds: You should change the light immediately. (The light will still be working, even in the expired state)

### Warranty:

- This product is covered by our 5-year limited warranty.
- If you want to claim a warranty for your product, please fill in the form at [www.lopolight.com/service](http://www.lopolight.com/service)



### Approvals:

The light in this package is type approved to the following standards:

- EN-14744, UL-1104, COLREG72, IEC 60945

Recognized by the following authorities:

- IMO, MED (EU-wheelmark), USCG